

pc-rh

the pacesetter in quality prefab roof products



245 eisenhower lane south • lombard, illinois 60148
 630.705.1920 • 800.243.3018 • fax 630.705.1930
 www.patecurbs.com • e-mail: sales@patecurbs.com

**pate
 roof hatch**

standard construction

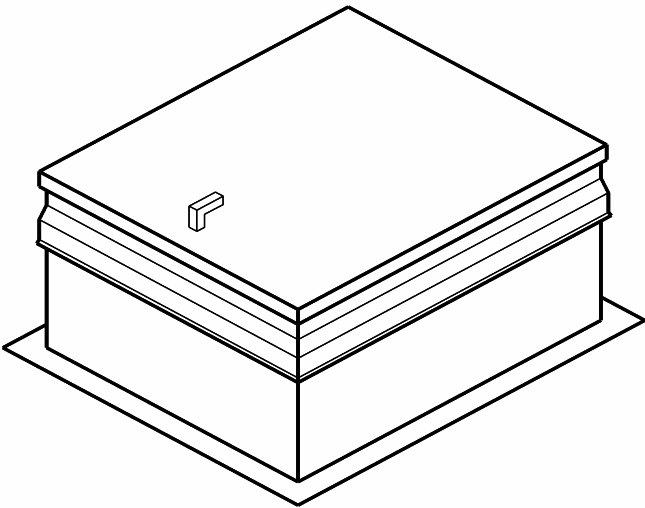
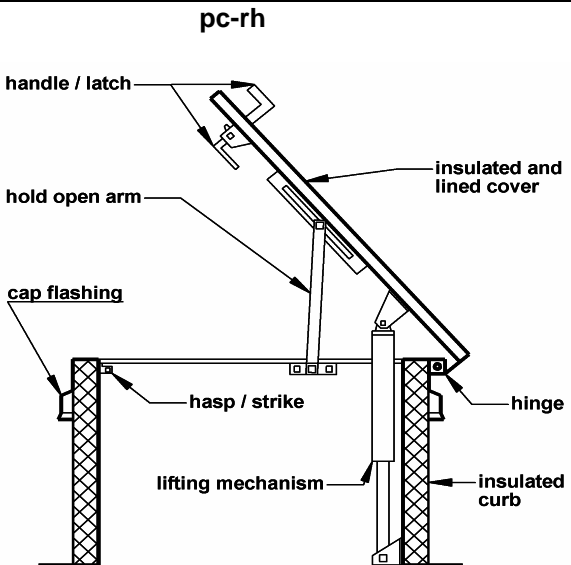
Heavy ga. galvanized steel construction, positive latching mechanism, 1" thick fiberglass insulation, automatic hold-open arm. Compression spring operators for smooth, easy one hand operation. Available in many sizes and curb configurations.

p.o. no. _____
 customer _____

 project _____
 location _____

 architect _____
 engineer _____

pate roof hatch



standard height: 12"

roof hatch requirements

quantity	dimensions		height	material options	tag
	O.D.	I.D.			