

pps-3,6,12

the pacesetter in quality prefab roof products



245 eisenhower lane south • lombard, illinois 60148
630.705.1920 • 800.243.3018 • fax 630.705.1930
www.patecurbs.com • e-mail: sales@patecurbs.com

pate pipe seal assemblies

standard construction

One piece spun aluminum base with
full five inch sloped roof surface
flange, graduated step pvc boot
and adjustable stainless steel clamps.

Customer:

PO:

Project:

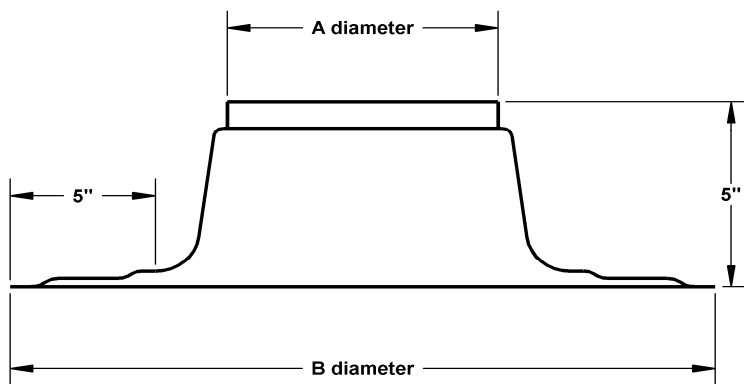
Address:

Address:

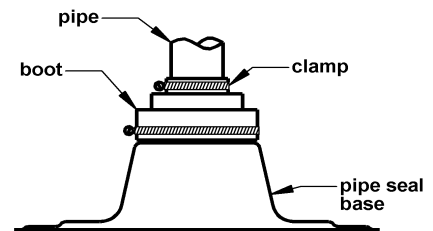
Notes:

pate pipe seal assemblies

psb-3,6,12



pps-3 assembly shown



pipe seal base and boot packages

pipe seal base	A dia.	B dia.
psb-3	3 1/2"	16"
psb-6	6 1/2"	20"
psb-12	12"	23"

NOTE: sizes listed are actual O.D.


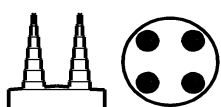

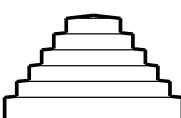
pps-3 1 pipe: 1/2" - 2 7/8" O.D.

pps-6 1 pipe: 3" - 5 1/2" O.D.

pps-6q6 for up to 4 pipes: 3/8" - 2" O.D.

pps-12 1 pipe: 6" - 10 3/4" O.D.

pipe seal assembly requirements

quantity	pipe seal assembly	components			b-3		b-q6	
		base	boot	clamps		1 module graduated step 3 1/2" boot for 1/2" - 2 7/8" pipe actual O.D. pipe		4 module graduated step 6 1/2" boot for 3/8" - 2" pipe actual O.D. pipe
	pps-3	psb-3	b-3	2 clamps				
	pps-6	psb-6	b-6	2 clamps				
	pps-6q6	psb-6	b-q6	5 clamps				
	pps-12	psb-3	b-12	2 clamps		1 module graduated step 6 1/2" boot for 3" - 5" pipe actual O.D. pipe		1 module graduated step 12" boot for 6" - 10 3/4" pipe actual O.D. pipe