

quality prefabricated roof components

pc-5dhp

standard construction - with damper holding plate

Heavy gage galvanized steel, unitized, fully mitered corners, all seams welded, 1-1/2" thick rigid fiberglass insulation pressure treated wood nailer. All curbs are internally reinforced in larger sizes.

Damper holding plate included with roof curb to permit easy installation of a backdraft damper. Galvanized steel construction.



the pate company

245 eisenhower lane south • lombard, illinois 60148
 630.705.1920 • 800.243.3018 • fax 630.705.1930
 www.patecurbs.com • e-mail: sales@patecurbs.com

Customer:

PO:

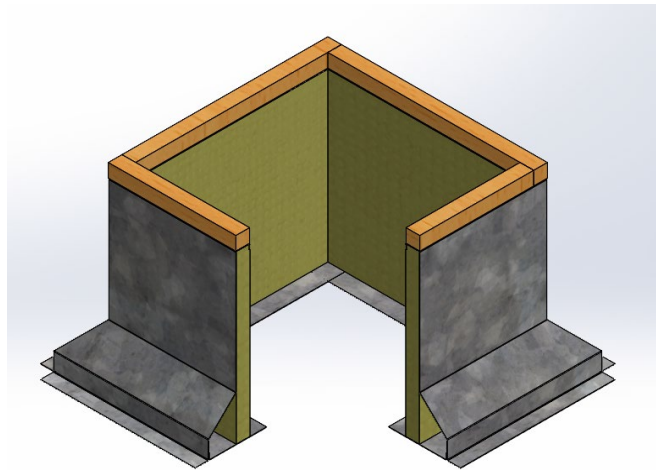
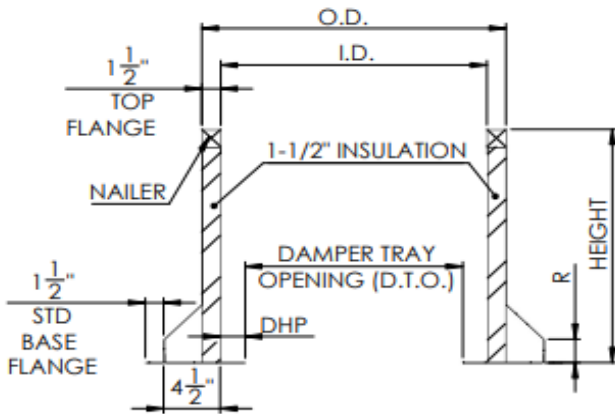
Project:

Address:

Address:

Notes:

pc-5dhp



decks with lightweight fill or tapered insulation

roof curb requirements

| quantity | style | dimensions - od | | dimensions - id | | d.h.p. | d.t.o. opening | | R | height | notes/tag |
|----------|-------|-----------------|-------|-----------------|-------|--------|----------------|-------|---|--------|-----------|
| | | length | width | length | width | | length | width | | | |
| | | | | | | | | | | | |