

pc-2mb-3

rib caps optional - loose if supplied

cricket or diverter optional

pate metal building curbs

standard construction

Heavy gauge AZ-55 Galvalume steel shell, base plate and diverter, continuous welded corners, seams painted with rust inhibitive primer, closed cell foam gasket at top, 1-1/2" thick rigid fiberglass insulation. Standard construction includes roof pitch and design to conform to building manufacture's panel. Butyl tape furnished with curb. All curbs are internally reinforced in larger dimensions.



245 eisenhower lane south • lombard, illinois 60148
630.705.1920 • 800.243.3018 • fax 630.705.1930
www.patecurbs.com • e-mail: sales@patecurbs.com

Customer:

PO:

Project:

Address:

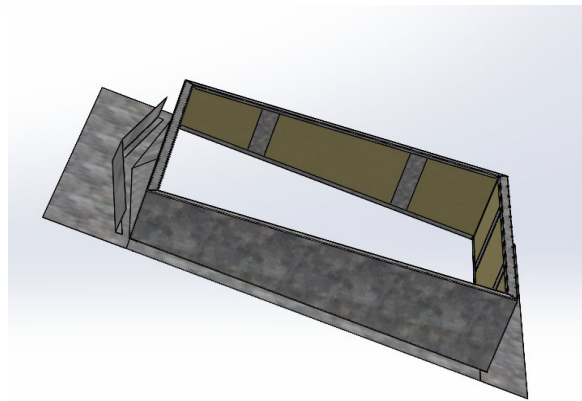
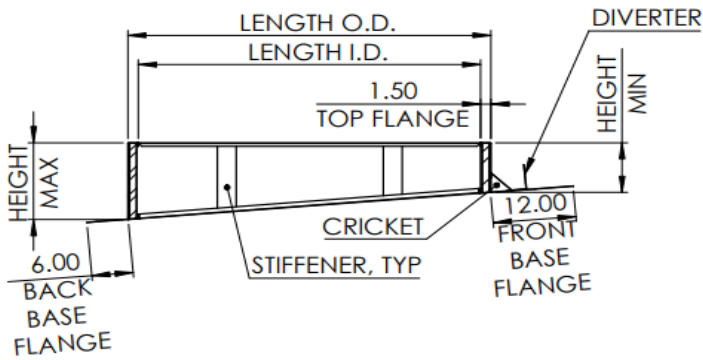
Address:

Notes:

pate metal building curbs

pc-2mb-3

pc-2mb-3 with diverter shown
(loose rib caps and cricket optional)



one piece curb with flat flanges and optional loose rib caps

metal building curb requirements

qty	style	dimensions - OD		roof pitch (in/ft)	min height (8" std)	max height (calculated)	curb mounting (over/over) (under/over)	roof panel (mfg & model)
		length (pitched)	width					