

pha-2 STOCK

the pacesetter in quality prefab roof products



245 eisenhower lane south • lombard, illinois 60148
 630.705.1920 • 800.243.3018 • fax 630.705.1930
 www.patecurbs.com • e-mail: sales@patecurbs.com

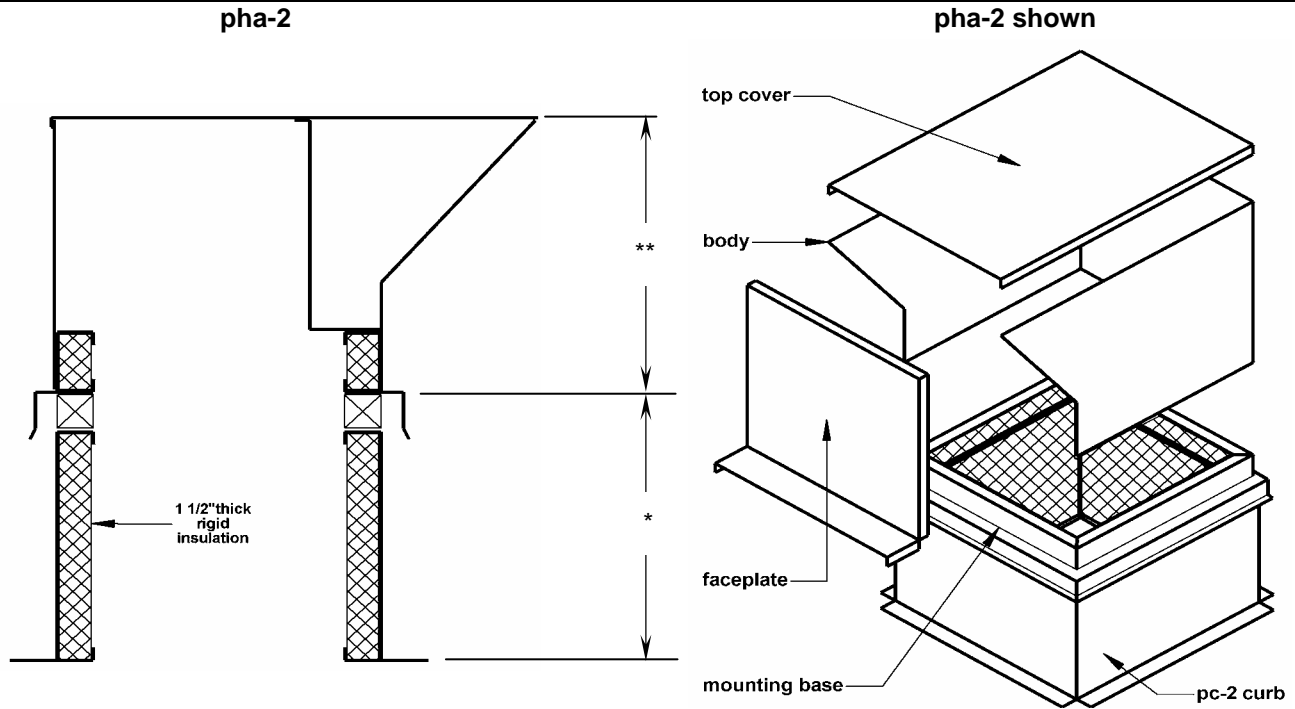
pate (always in stock) pipe hood assembly

standard construction

Heavy ga. aluminum construction. With removable top cover, faceplate and 3 sided body provide easy access to the hood interior. Separate fully welded and insulated aluminum mounting base furnished to isolate hood from galvanized curb. Field insulation of hood interior and caulking of all exposed joints after installation of piping is recommended.

p.o. no. _____
 customer _____
 project _____
 location _____
 architect _____
 engineer _____

pate pipe hood assembly



pipe hood assembly requirements

quantity	style	dimensions		* curb height	**hood height		tag
		O.D.	I.D.				
1	PHA	15" x 15"	12" x 12"	12"	12"		
1	PHA	15" x 15"	12" x 12"	14"	12"		
1	PHA	15" x 15"	12" x 12"	15"	12"		
1	PHA	15" x 15"	12" x 12"	16"	12"		
1	PHA	15" x 15"	12" x 12"	18"	12"		
1	PHA	15" x 15"	12" x 12"	24"	12"		