

pca-1,2,5 STOCK

the pacesetter in quality prefab roof products



245 eisenhower lane south • lombard, illinois 60148
630.705.1920 • 800.243.3018 • fax 630.705.1930
www.patecurbs.com • e-mail: sales@patecurbs.com

pate (always in stock) pipe curb assemblies

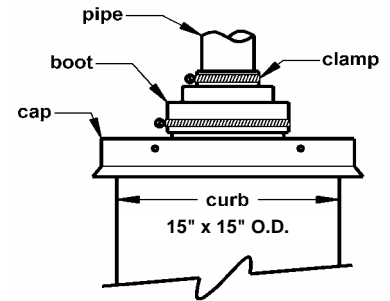
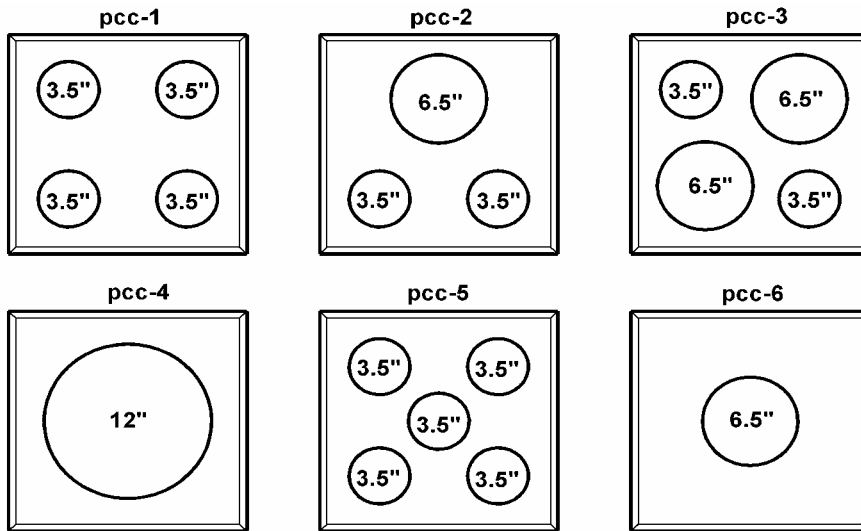
standard construction

pipe curb assembly shall consist of heavy ga. galvanized steel roof curb, unitized construction, with integral base plate, 1 1/2" insulation and 2 x 2 treated wood nailer. Unit shall be furnished with acrylic clad thermoplastic cover, fastening screws, graduated step boots with stainless steel clamps.

p.o. no. _____
customer _____
project _____
location _____
architect _____
engineer _____

pate pipe curb assemblies

cap styles

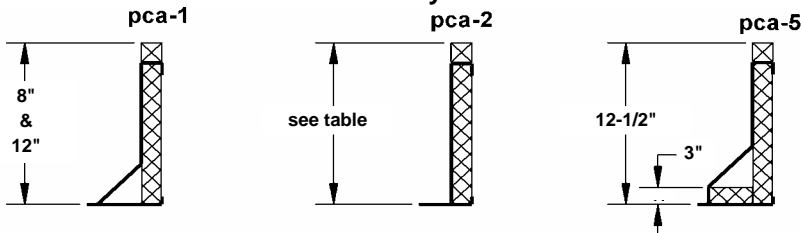


cap and boot packages

NOTE: sizes listed are actual O.D.

- pcc-1** for up to 4 pipes: 1/2" - 2 7/8" O.D.
- pcc-2** for up to 2 pipes: 1/2" - 2 7/8" O.D. and 1 pipe: 3" - 5 1/2" O.D.
- pcc-2q6** for up to 2 pipes: 1/2" - 2 7/8" O.D. and for up to 4 pipes: 3/8" - 2" O.D.
- pcc-3** for up to 2 pipes: 1/2" - 2 7/8" O.D. and for up to 2 pipes: 3" - 5 1/2" O.D.
- pcc-3q6** for up to 2 pipes: 1/2" - 2 7/8" O.D. and for up to 8 pipes: 3/8" - 2" O.D.
- pcc-4** for 1 pipe: 6" - 10 3/4" O.D.
- pcc-5** for up to 5 pipes: 1/2" - 2 7/8" O.D.
- pcc-6** for 1 pipe: 3" - 5 1/2" O.D.

curb styles



pipe curb assembly requirements

quantity	curb style	height	raised cant	cap & boot pkg.		
	PCA-2	12"	n/a	pcc-	 b-3 1 module graduated step 3 1/2" boot for 1/2" - 2 7/8" actual O.D. pipe	 b-q6 4 module graduated step 6 1/2" boot for 3/8" - 2" actual O.D. pipe
	PCA-2	14"	n/a	all		
	PCA-2	16"	n/a	in		
	PCA-2	18"	n/a	in		
	PCA-2	24"	n/a	in	 b-6 1 module graduated step 6 1/2" boot for 3" - 5" actual O.D. pipe	 b-12 1 module graduated step 12" boot for 6" - 10 3/4" actual O.D. pipe
	PCA-1	8"	n/a	stock		
	PCA-1	12"	n/a	stock		
	PCA-5	12-1/2"	3"	stock		