

# pc-2 STOCK

the pacesetter in quality prefab roof products

## pate (always in stock) roof curbs

### standard construction

Heavy ga. galvanized steel, unitized, full mitered corners, all seams welded, 1 1/2" thick rigid fiberglass insulation, pressure treated wood nailer strip. All curbs are internally reinforced in larger dimensions.

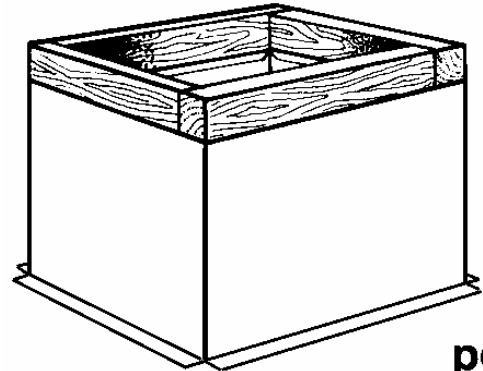
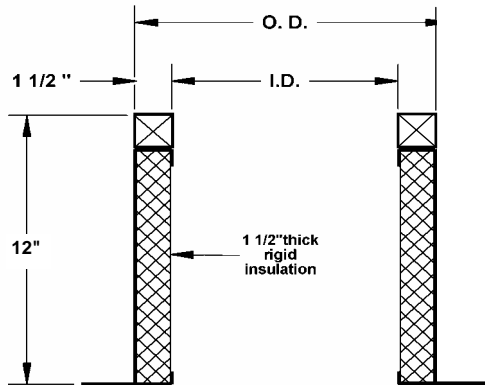


245 eisenhower lane south • lombard, illinois 60148  
630.705.1920 • 800.243.3018 • fax 630.705.1930  
www.patecurbs.com • e-mail: sales@patecurbs.com

p.o. no. \_\_\_\_\_  
customer \_\_\_\_\_  
project \_\_\_\_\_  
location \_\_\_\_\_  
architect \_\_\_\_\_  
engineer \_\_\_\_\_

### pate curbs

#### pc-2



**pc-2**

decks with lightweight fill or tapered insulation

### roof curb requirements

quantity	style	dimensions		height	tag
		O.D.	I.D.		
	PC-2	15-1/2" x 15-1/2"	12-1/2" x 12-1/2"	12"	
	PC-2	17-1/2" x 17-1/2"	14-1/2" x 14-1/2"	12"	
	PC-2	20-1/2" x 20-1/2"	17-1/2" x 17-1/2"	12"	
	PC-2	24-1/2" x 24-1/2"	21-1/2" x 21-1/2"	12"	
	PC-2	28-1/2" x 28-1/2"	25-1/2" x 25-1/2"	12"	
	PC-2	32-1/2" x 32-1/2"	29-1/2" x 29-1/2"	12"	
	PC-2	38-1/2" x 38-1/2"	35-1/2" x 35-1/2"	12"	