

es-2 STOCK

the pacesetter in quality prefab roof products

pate (always in stock) equipment supports

standard construction

18 ga. galvanized steel, unitized construction with integral base plate, continuous welded corner seams, pressure treated wood nailer, counterflashing with screws. Internally re-inforced to conform with **pate** load bearing factors.

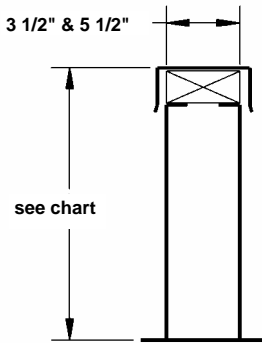


245 eisenhower lane south • lombard, illinois 60148
630.705.1920 • 800.243.3018 • fax 630.705.1930
www.patecurbs.com • e-mail: sales@patecurbs.com

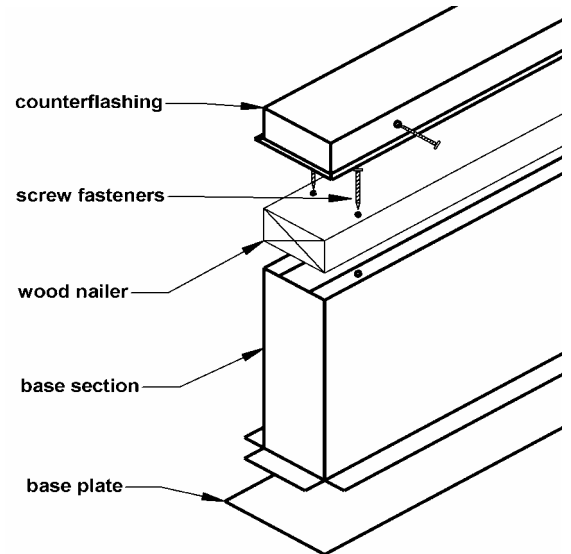
p.o. no. _____
customer _____
attn _____
project _____
location _____
architect _____
engineer _____

pate equipment supports

es-2



decks with lightweight fill or tapered insulation



equipment support requirements

quantity	style	nailer length	nailer width	overall height		quantity	style	nailer length	overall height	nailer width
	ES-2	2'-0"	2 x 4 & 2 x 6	12"			ES-2	2'-0"	18"	2 x 4
	ES-2	3'-0"	2 x 4 & 2 x 6	12"			ES-2	3'-0"	18"	2 x 4
	ES-2	4'-0"	2 x 4 & 2 x 6	12"			ES-2	4'-0"	18"	2 x 4
	ES-2	5'-0"	2 x 4 & 2 x 6	12"						
	ES-2	6'-0"	2 x 4 & 2 x 6	12"						
	ES-2	8'-0"	2 x 4 & 2 x 6	12"						
	ES-2	10'-0"	2 x 4 & 2 x 6	12"						