

psc-1,2,5

the pacesetter in quality prefab roof products



245 eisenhower lane south • lombard, illinois 60148
 630.705.1920 • 800.243.3018 • fax 630.705.1930
 www.patecurbs.com • e-mail: sales@patecurbs.com

**pate
 sound curbs**

standard construction

Heavy ga. galvanized steel, unitized construction, full mitered corners, all seams welded, 1 1/2" thick rigid fiberglass insulation, pressure treated wood nailer strip. All curbs internally reinforced in larger sizes. Sound baffles consist of 1" thick fiberglass. panels secured in a galvanized steel framework. Panel frames are shaped to reduce air flow interference. Baffle assembly is removable from curb. Also available in **psc-1** and **psc-5** styles.

p.o. no. _____
 customer _____

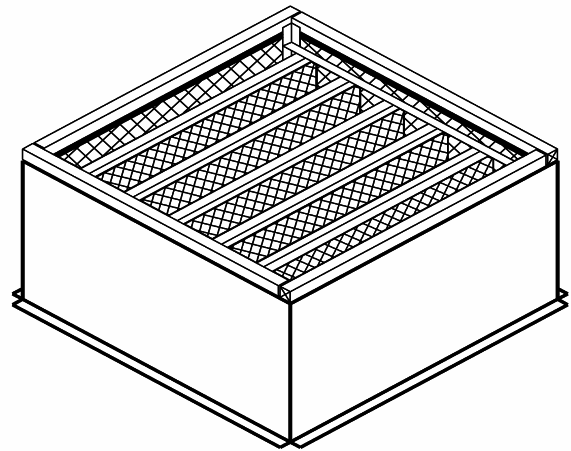
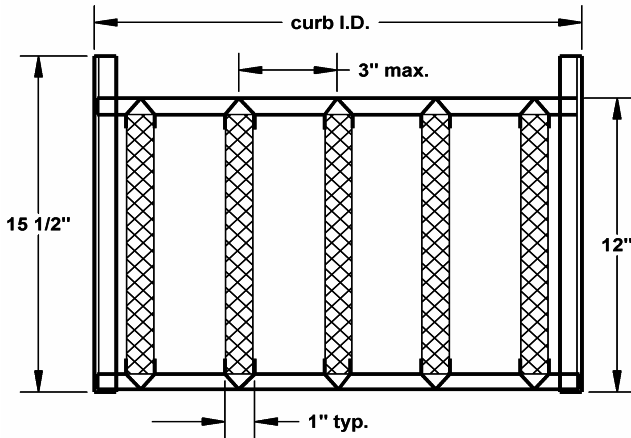
 project _____
 location _____

 architect _____
 engineer _____

pate curbs

sound baffle assembly

psc-2 shown



*16" overall height std.

roof curb requirements

quantity	style	dimensions		* overall height	overhang b style	** raised cant height	tag
		O.D.	I.D.				