

pha-2

the pacesetter in quality prefab roof products



245 eisenhower lane south • lombard, illinois 60148
 630.705.1920 • 800.243.3018 • fax 630.705.1930
 www.patecurbs.com • e-mail: sales@patecurbs.com

**pate
 pipe hood assembly**

standard construction

Heavy ga. aluminum construction. With removable top cover, faceplate and 3 sided body provide easy access to the hood interior. Separate fully welded and insulated aluminum mounting base furnished to isolate hood from galvanized curb. Field insulation of hood interior and caulking of all exposed joints after installation of piping is recommended. Also available in **pha-1** and **pha-5** styles.

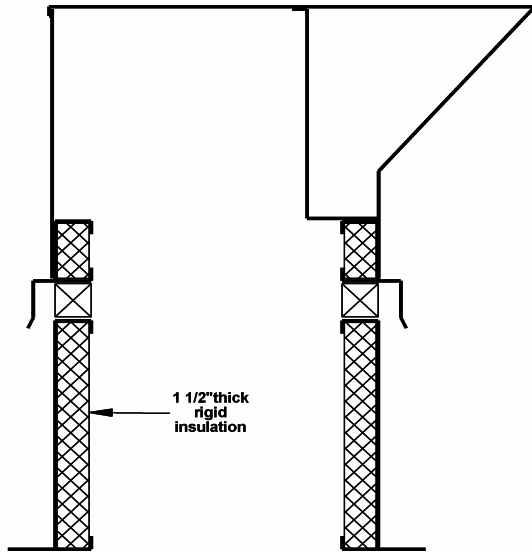
p.o. no. _____
 customer _____

 project _____
 location _____

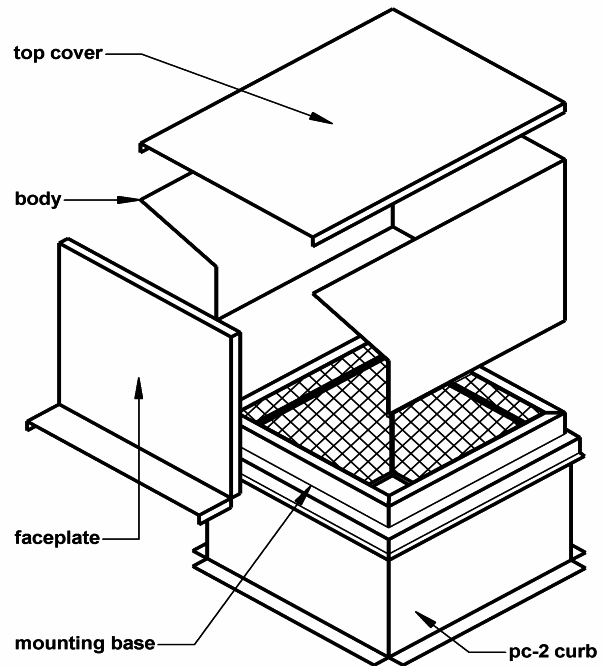
 architect _____
 engineer _____

pate pipe hood assembly

pha-2



pha-2 shown



pipe hood assembly requirements

quantity	style	dimensions		* overall height	overhang b style	** raised cant height	tag
		O.D.	I.D.				