

pcc-c

the pacesetter in quality prefab roof products



245 eisenhower lane south • lombard, illinois 60148
 630.705.1920 • 800.243.3018 • fax 630.705.1930
 www.patecurbs.com • e-mail: sales@patecurbs.com

**pate
 custom cap**

standard construction

Heavy ga. aluminum, galvalume or stainless steel construction, with collared openings and optional boots. Designed to your pipe penetration requirements. For use with **pate** curbs or existing curb.

p.o. no. _____
 customer _____

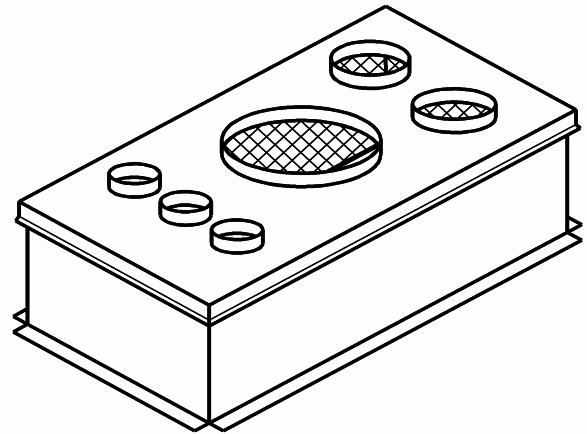
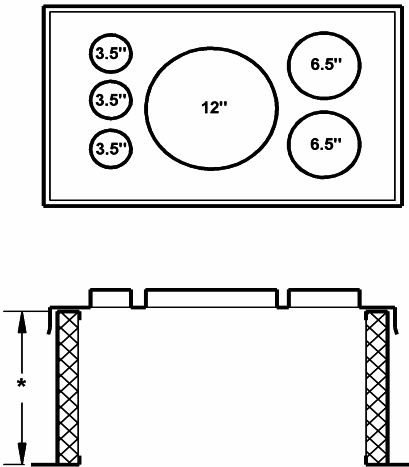
 project _____
 location _____


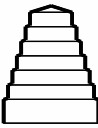
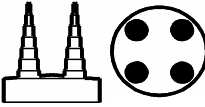
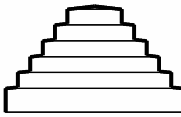
 architect _____
 engineer _____

pate custom cap

pcc-c

pcc-c custom cap with 6 collars and pc-2 curb shown



<p>b-3</p>  <p>1 module graduated step 3 1/2" boot for 1 1/2" - 2 7/8" actual O.D. pipe</p>	<p>b-6</p>  <p>1 module graduated step 6 1/2" boot for 3" - 5" actual O.D. pipe</p>	<p>b-q6</p>  <p>4 module graduated step 6 1/2" boot for 3/8" - 2" actual O.D. pipe</p>	<p>b-12</p>  <p>1 module graduated step 12" boot for 6" - 10 3/4" actual O.D. pipe</p>
--	--	---	---

cap requirements

quantity	curb style	* curb height	** raised cant height	sketch requirements