

pc-sv

the pacesetter in quality prefab roof products



245 eisenhower lane south • lombard, illinois 60148
 630.705.1920 • 800.243.3018 • fax 630.705.1930
 www.patecurbs.com • e-mail: sales@patecurbs.com

**pate
 smoke vent**

standard construction

Heavy ga. galvanized steel construction. Units include manual outside / inside release, 165 degree fusible link, 1" insulation, heavy duty lifting mechanism with shock absorber dampening. Many different **pate** curbs available to fit all roof applications. Optional lexan door glazing available acts as skylight.

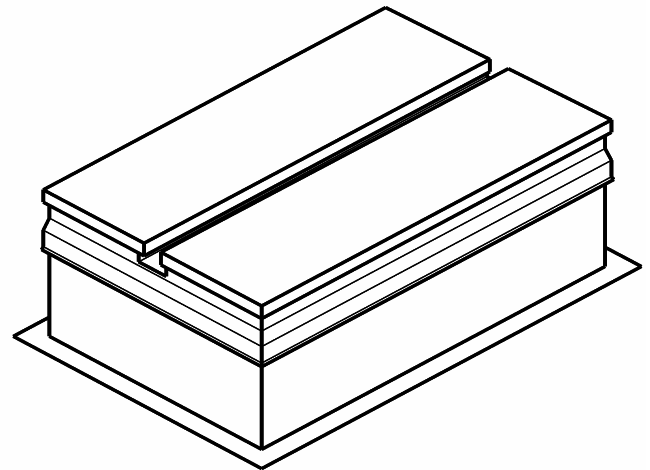
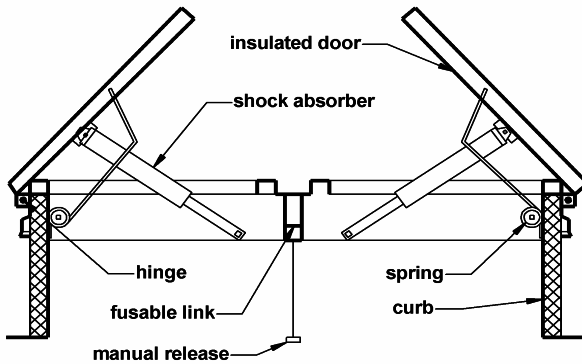
p.o. no. _____
 customer _____

 project _____
 location _____

 architect _____
 engineer _____

pate smoke vent

pc-sv



smoke vent requirements

quantity	dimensions		height	optional glazing	special requirements	tag
	O.D.	I.D.				