

pc-fg

the pacesetter in quality prefab roof products



245 eisenhower lane south • lombard, illinois 60148
 630.705.1920 • 800.243.3018 • fax 630.705.1930
 www.patecurbs.com • e-mail: sales@patecurbs.com

**pate
foam gasket**

standard construction

Closed cell vinyl nitrile / neoprene.
 Blended material with hi-tack pressure sensitive adhesive and release paper.
 Gasket is black in color, UL94 flame rated, with a serviceable temperature rating from -30 degrees to + 200 degrees Fahrenheit.

p.o. no. _____
 customer _____

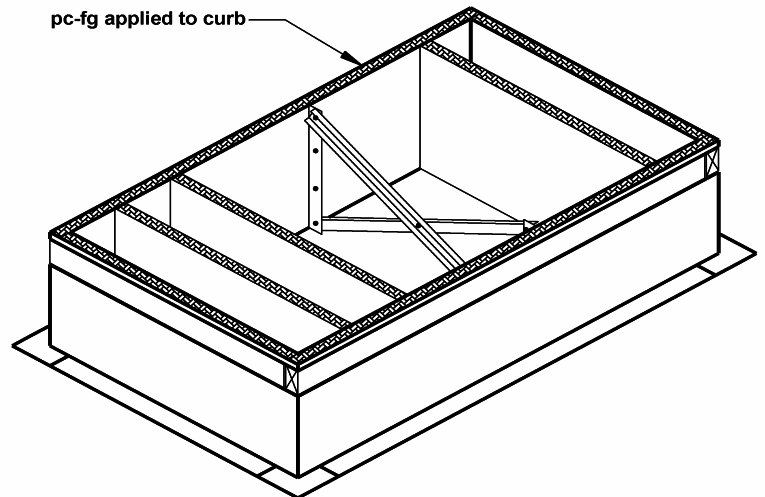
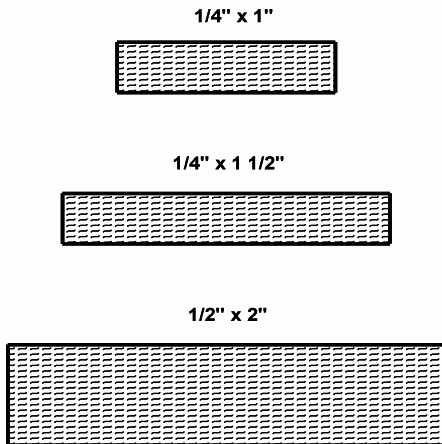
 project _____
 location _____

 architect _____
 engineer _____

pate foam gasket

pc-fg

pc-fg applied to pate heavy duty AHU curb shown



foam gasket requirements

quantity	rolls / cases	packaging	tag
		<p>50 feet per roll</p>	
		<p>1/4" x 1" - 8 rolls per case (400 feet total)</p>	
		<p>1/4" x 1 1/2" - 16 rolls per case (800 feet total)</p>	
		<p>1/2" x 2" - 10 rolls per case (500 feet total)</p>	