

pc-asdp

the pacesetter in quality prefab roof products



245 eisenhower lane south • lombard, illinois 60148
 630.705.1920 • 800.243.3018 • fax 630.705.1930
 www.patecurbs.com • e-mail: sales@patecurbs.com

**pate
 side discharge plenum adapter**

standard construction

Heavy ga. galvalume steel, unitized construction with full mitered corners and all seams welded. 1 1/2" duct liner insulation in walls and on solid bottom. Openings with duct flanges and foam gasket provided. Adapters are internally reinforced in larger size dimensions. Matching base curb in one of **pate's** six styles.

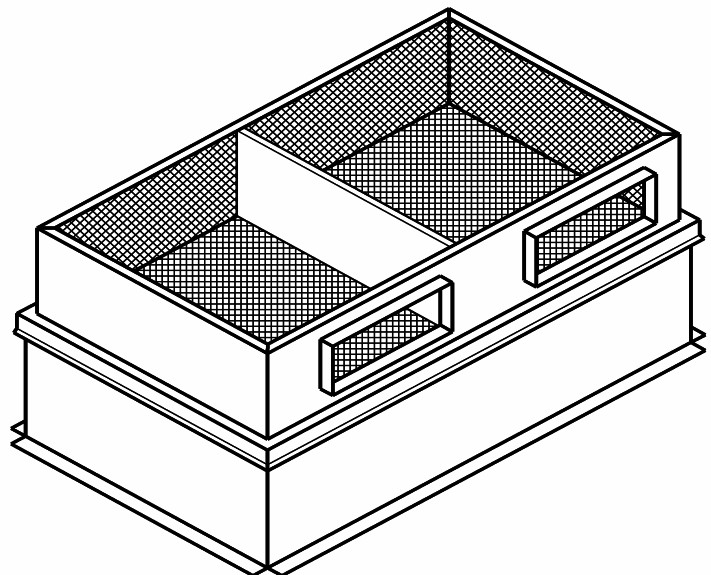
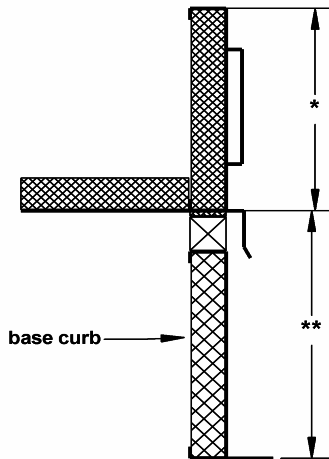
p.o. no. _____
 customer _____

 project _____
 location _____

 architect _____
 engineer _____

pate adapter

pc-asdp



adapter requirements

quantity	base curb style	dimensions		* overall height	cross wall location	** base curb height	tag
		O.D.	I.D.				