

pc-ar

the pacesetter in quality prefab roof products



245 eisenhower lane south • lombard, illinois 60148  
 630.705.1920 • 800.243.3018 • fax 630.705.1930  
 www.patecurbs.com • e-mail: sales@patecurbs.com

**pate**  
**curb adapter reducer**

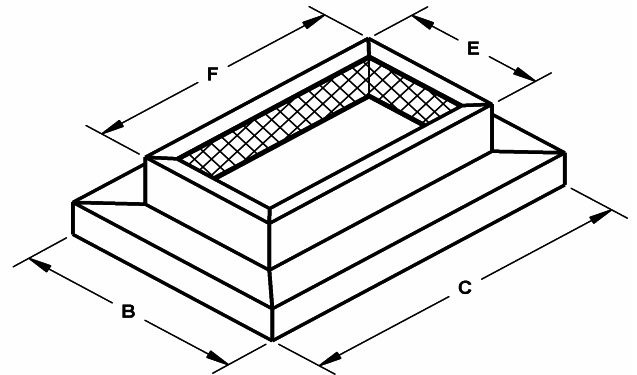
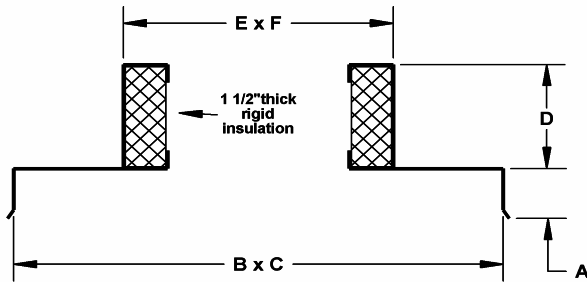
**standard construction**

Heavy ga. galvalume steel, unitized construction with full mitered corners, all seams welded, 1 1/2" thick rigid fiberglass insulation. All adapters reinforced in larger size dimensions. Foam gasket supplied with adapter.

p.o. no. \_\_\_\_\_  
 customer \_\_\_\_\_  
 \_\_\_\_\_  
 project \_\_\_\_\_  
 location \_\_\_\_\_  
 \_\_\_\_\_  
 architect \_\_\_\_\_  
 engineer \_\_\_\_\_

**pate adapter**

pc-ar



Options: galvanized, aluminum, stainless steel, damper ledge, access door, liners, vents

**adapter requirements**

quantity	tag	dimensions		A	DHP I.D.	D	options
		B x C	E x F				