

pc-akv

the pacesetter in quality prefab roof products



245 eisenhower lane south • lombard, illinois 60148
 630.705.1920 • 800.243.3018 • fax 630.705.1930
 www.patecurbs.com • e-mail: sales@patecurbs.com

**pate
 kitchen ventilation adapter**

standard construction

Heavy ga. galvalume steel construction with full mitered corners and all seams welded, 1 1/2" thick rigid fiberglass insulation. Optional vents with screens on exhaust side. Foam gasket supplied with adapter.

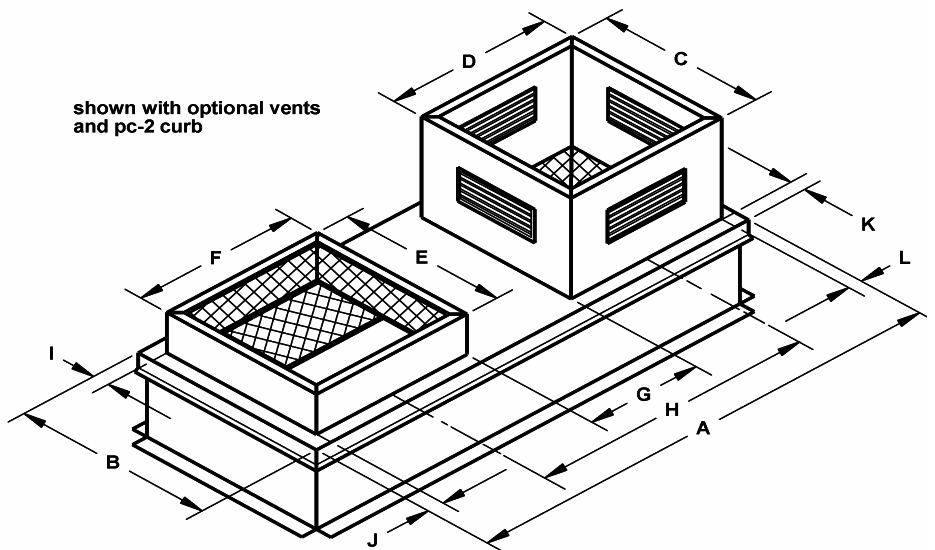
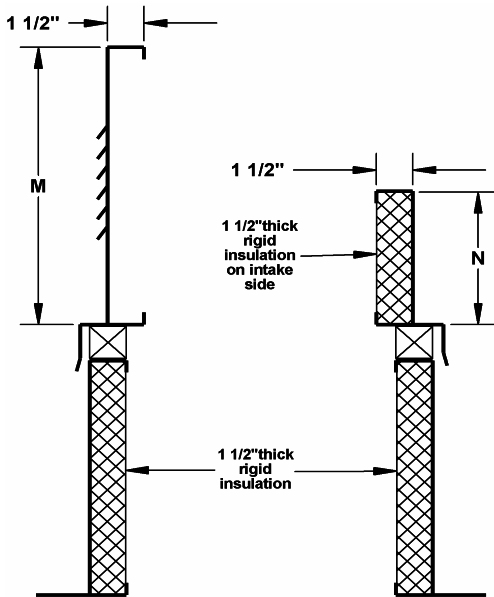
p.o. no. _____
 customer _____

 project _____
 location _____

 architect _____
 engineer _____

pate adapter

pc-akv



adapter requirements

quantity	A	B	C	D	E	F	G	H	I	J	K	L	M	N	tag