

# pc-afc

the pacesetter in quality prefab roof products



## the pate company

245 eisenhower lane south • lombard, illinois 60148  
630.705.1920 • 800.243.3018 • fax 630.705.1930  
www.patecurbs.com • e-mail: sales@patecurbs.com

# pate filter curb adapter

## standard construction

Heavy ga. galvalume steel, unitized construction with full mitered corners and all seams welded. 1 1/2" duct liner insulation, lined supply. Galvanized base curb has pressure treated 2 x 4 wood nailer strip and insulated solid bottom. All curbs are internally reinforced. Filter adapter has hinged access door with cam lock closures for filter maintenance.

### Filters by others.

Foam gasket provided for weatherproofing.

p.o. no. \_\_\_\_\_

customer \_\_\_\_\_

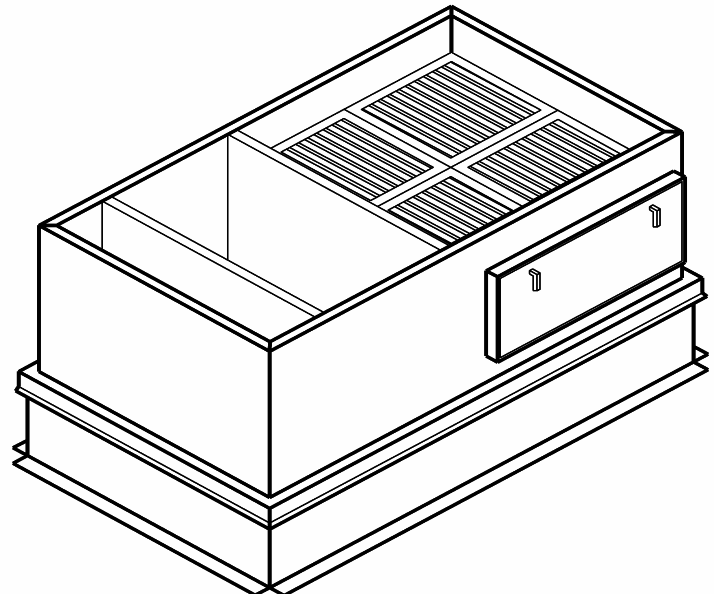
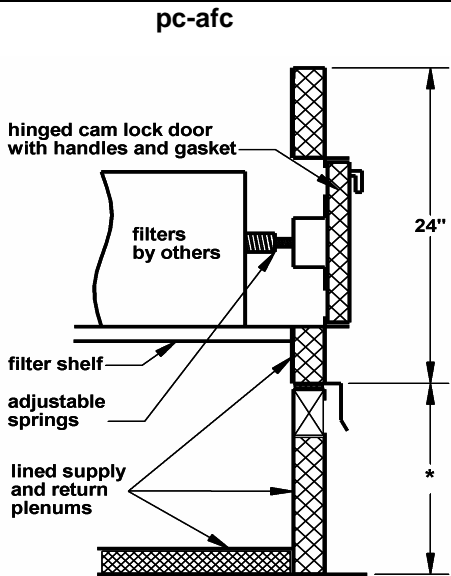
project \_\_\_\_\_

location \_\_\_\_\_

architect \_\_\_\_\_

engineer \_\_\_\_\_

### pate adapter



### adapter requirements

quantity	base curb style	dimensions		* base curb height	RTU manufacturer & model	tag
		O.D.	I.D.			