

pc-aceb

the pacesetter in quality prefab roof products



245 eisenhower lane south • lombard, illinois 60148
 630.705.1920 • 800.243.3018 • fax 630.705.1930
 www.patecurbs.com • e-mail: sales@patecurbs.com

**pate
 curb extension box**

standard construction

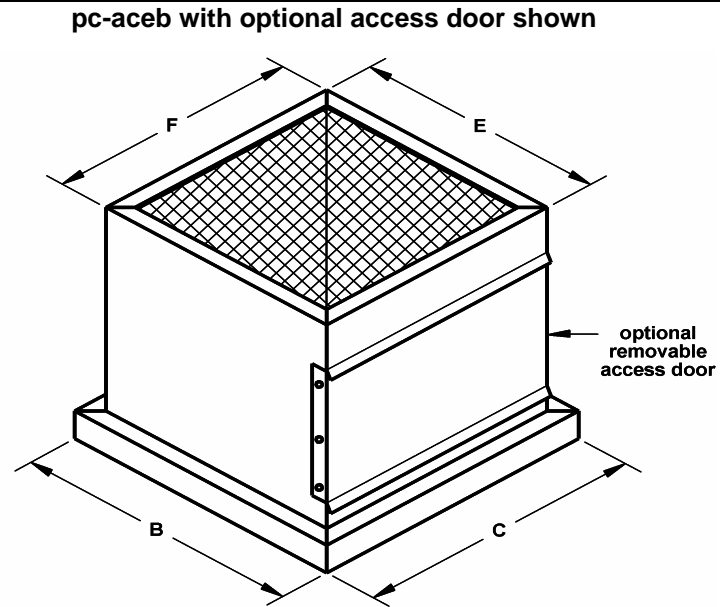
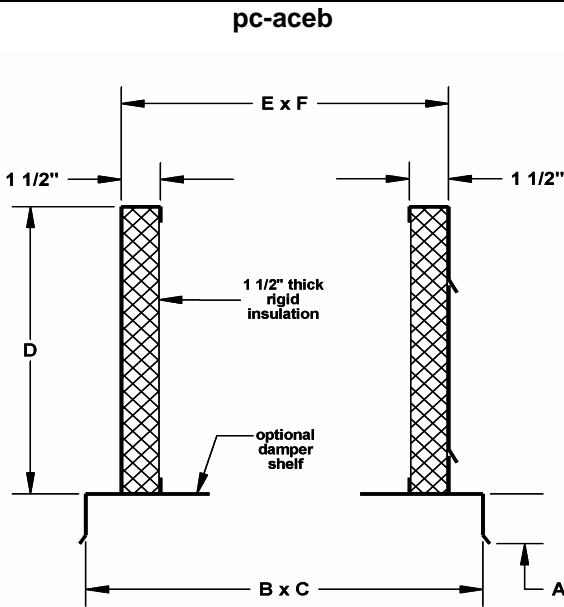
Heavy ga. galvalume steel, unitized construction with full mitered corners, all seams welded, 1 1/2" thick rigid fiberglass insulation. All adapters reinforced in larger size dimensions. Foam gasket supplied with adapter.

p.o. no. _____
 customer _____

 project _____
 location _____

 architect _____
 engineer _____

pate adapter



adapter requirements

quantity	tag	dimensions		A	DHP I.D.	D	options
		B x C	E x F				