

pc-4-il

the pacesetter in quality prefab roof products



245 eisenhower lane south • lombard, illinois 60148
 630.705.1920 • 800.243.3018 • fax 630.705.1930
 www.patecurbs.com • e-mail: sales@patecurbs.com

**pate
 heavy duty AHU curb**

standard construction

Heavy ga. galvanized steel, unitized construction, full mitered corners, 1 1/2" thick rigid fiberglass insulation, with heavy ga. channel reinforced walls and pressure treated 2 x 4 wood nailer. Curb furnished with all wall, corner and cross brace splices, along with fasteners. Curbs can be furnished assembled or knocked down.

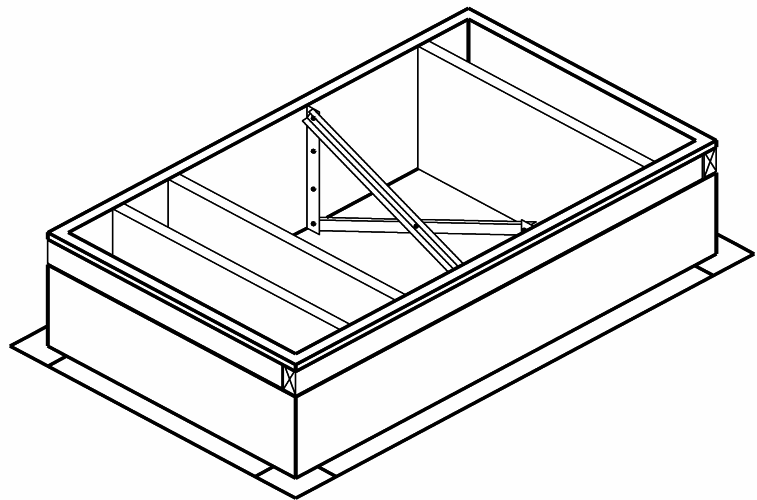
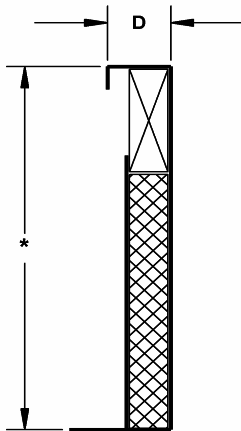
p.o. no. _____
 customer _____

 project _____
 location _____

 architect _____
 engineer _____

pate curbs

pc-4-il



roof curb requirements

quantity	style	dimensions		* overall height	D	AHU manufacturer & model	tag
		O.D.	I.D.				