

# pc-4-ics

the pacesetter in quality prefab roof products



245 eisenhower lane south • lombard, illinois 60148  
 630.705.1920 • 800.243.3018 • fax 630.705.1930  
 www.patecurbs.com • e-mail: sales@patecurbs.com

## pate insulated certified seismic curb

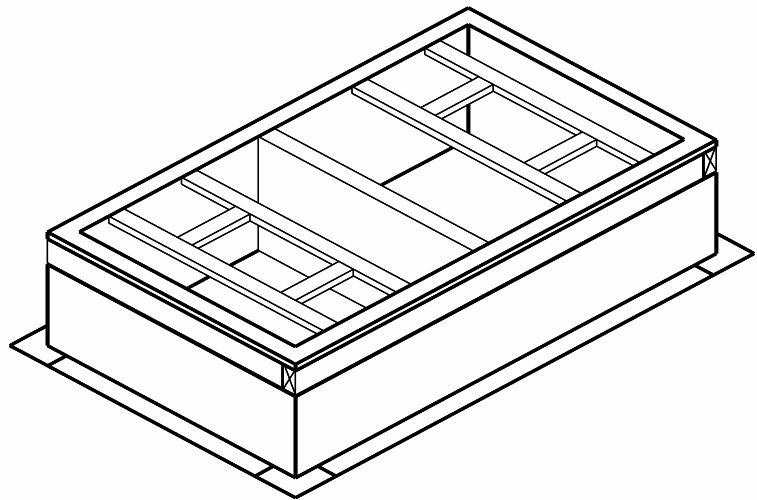
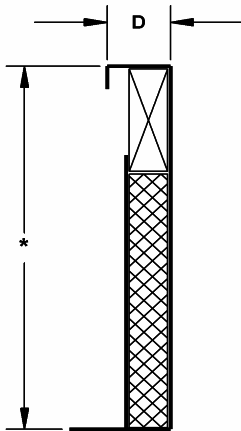
### standard construction

Heavy ga. galvanized steel, unitized construction with full mitered corners all seams welded. 1" or 1 1/2" thick rigid fiberglass insulation. **pc-4** curbs have wood nailers for roofing felt attachment. Curbs are constructed and internally reinforced to meet seismic category D, use group III, importance factor 1.5 of the IBC 2000. Foam gasket supplied with curb.

p.o. no. \_\_\_\_\_  
 customer \_\_\_\_\_  
 \_\_\_\_\_  
 project \_\_\_\_\_  
 location \_\_\_\_\_  
 \_\_\_\_\_  
 architect \_\_\_\_\_  
 engineer \_\_\_\_\_

### pate certified seismic curb

pc-4-ics



### roof curb requirements

quantity	style	dimensions		* overall height	D	RTU manufacturer & model	tag
		O.D.	I.D.				