

pc-4-ibcs

the pacesetter in quality prefab roof products



245 eisenhower lane south • lombard, illinois 60148
 630.705.1920 • 800.243.3018 • fax 630.705.1930
 www.patecurbs.com • e-mail: sales@patecurbs.com

pate insulated bottom certified seismic curb

standard construction

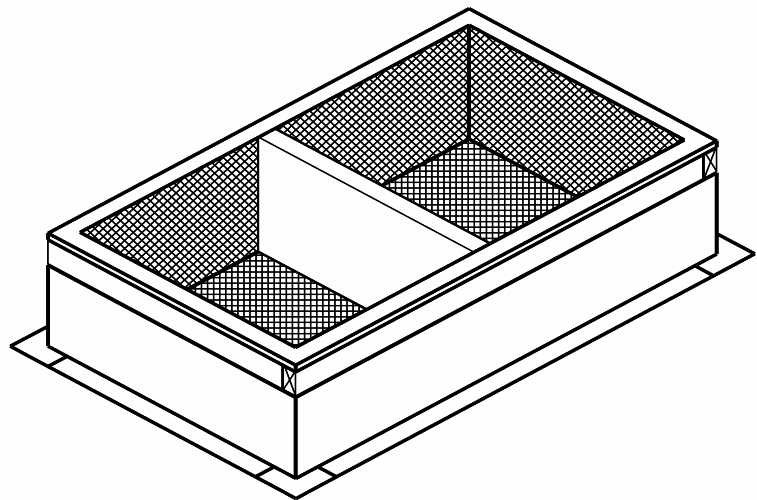
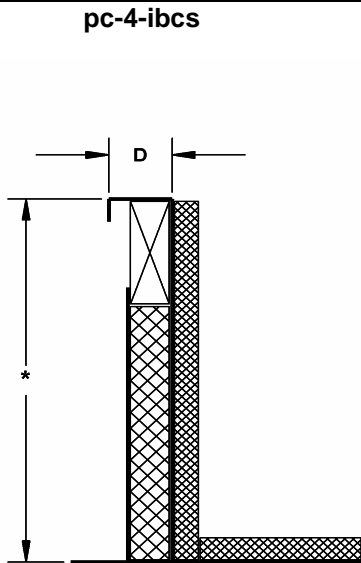
Heavy ga. galvanized steel, unitized construction with full mitered corners all seams welded. 1" or 1 1/2" thick rigid fiberglass insulation. **pc-4** curbs have wood nailers for roofing felt attachment. Solid bottoms are insulated with 1" duct liner. Curbs are constructed and internally reinforced to meet seismic category D, use group III, importance factor 1.5 of the IBC 2000. Foam gasket supplied with curb.

p.o. no. _____
 customer _____

 project _____
 location _____

 architect _____
 engineer _____

pc-4-ibcs pate certified seismic curb



roof curb requirements

quantity	style	dimensions		* overall height	D	RTU manufacturer & model	tag
		O.D.	I.D.				