

**pc-4-cs**

the pacesetter in quality prefab roof products



245 eisenhower lane south • lombard, illinois 60148  
 630.705.1920 • 800.243.3018 • fax 630.705.1930  
 www.patecurbs.com • e-mail: sales@patecurbs.com

**pate certified seismic curb**

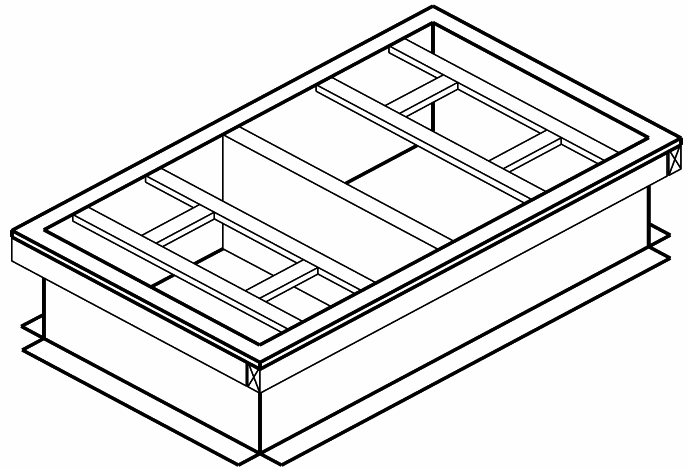
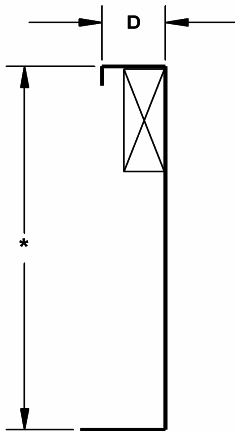
**standard construction**

Heavy ga. galvanized steel, unitized construction with full mitered corners all seams welded. Pressure treated wood nailer. Curbs are constructed and reinforced to meet seismic category D, use group III, importance factor 1.5 of the IBC 2000. Foam gasket supplied with curb.

p.o. no. \_\_\_\_\_  
 customer \_\_\_\_\_  
 \_\_\_\_\_  
 project \_\_\_\_\_  
 location \_\_\_\_\_  
 \_\_\_\_\_  
 architect \_\_\_\_\_  
 engineer \_\_\_\_\_

**pate certified seismic curb**

pc-4-cs



**roof curb requirements**

quantity	style	dimensions		* overall height	D	RTU manufacturer & model	tag
		O.D.	I.D.				