

pc-2p

the pacesetter in quality prefab roof products



245 eisenhower lane south • lombard, illinois 60148
 630.705.1920 • 800.243.3018 • fax 630.705.1930
 www.patecurbs.com • e-mail: sales@patecurbs.com

pate curbs for HVAC units

standard construction

Heavy ga. galvanized steel, unitized construction with full mitered corners, all seams welded, 1 1/2" thick rigid fiberglass insulation, pressure treated wood nailer strip. All curbs are internally reinforced in larger dimensions. Foam gasket supplied with curb. Also available in **pc-1p** and **pc-5p** styles.

p.o. no. _____
 customer _____

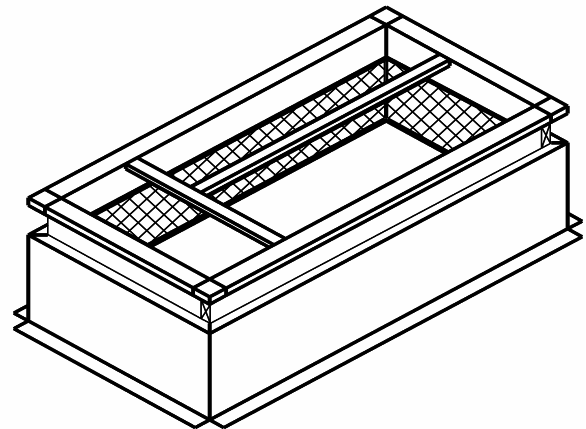
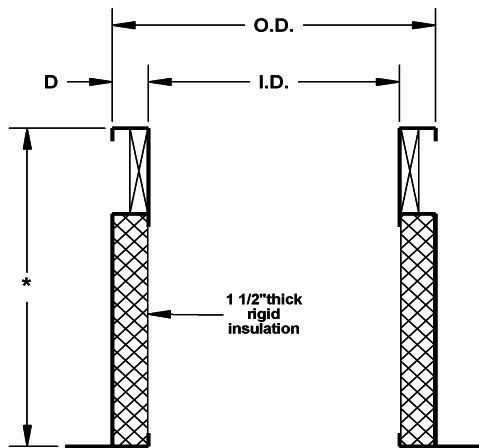
 project _____
 location _____

 architect _____
 engineer _____

pate curbs

pc-2p

pc-2p with optional duct frames shown



decks with lightweight fill or tapered insulation

roof curb requirements

quantity	style	dimensions		* overall height	RTU manufacturer & model	D	tag
		O.D.	I.D.				