

pc-2mb-RTU

the pacesetter in quality prefab roof products



245 eisenhower lane south • lombard, illinois 60148
 630.705.1920 • 800.243.3018 • fax 630.705.1930
 www.patecurbs.com • e-mail: sales@patecurbs.com

pate metal building curbs for RTU

standard construction

Heavy gauge AZ-55 Galvalume steel shell, base plate and diverter, continuous welded corners, seams painted with rust inhibitive primer, closed cell foam gasket at top, 1 1/2" thick rigid fiberglass insulation. Standard construction includes roof pitch and design to conform to building manufacture's panel. Butyl tape furnished with curb. All curbs are internally reinforced in larger dimensions. Duct support channels and insulated pans furnished upon request.

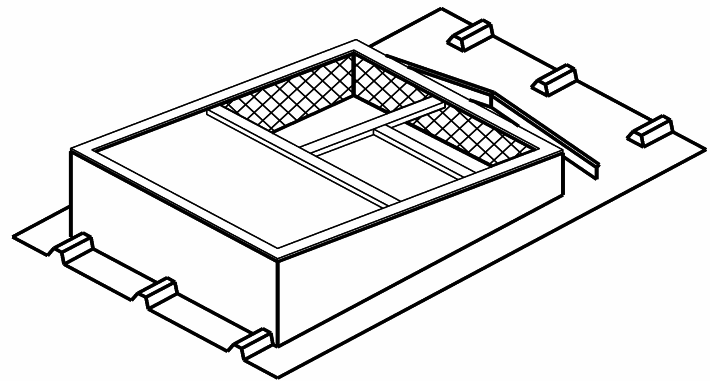
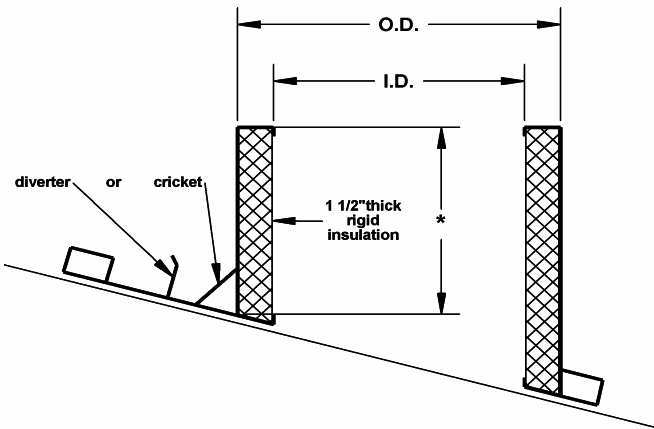
p.o. no. _____
 customer _____

 project _____
 location _____

 architect _____
 engineer _____

pate metal building curbs

- pc-2mb-1** one piece curb with welded in rib caps
- pc-2mb-2** two piece curb with flat flanges and optional rib caps
- pc-2mb-3** one piece curb with flat flanges and optional loose rib caps



pc-2mb-1 shown with diverter (cricket optional)

metal building curb requirements

quantity	style	dimensions		min. ht. * 8" standard	roof pitch and direction	roof panel mfg. & model	rib cap application loose / welded	curb mounting under/over , over/over
		O.D.	I.D.					