

# pc-2mb-3

the pacesetter in quality prefab roof products



245 eisenhower lane south • lombard, illinois 60148  
 630.705.1920 • 800.243.3018 • fax 630.705.1930  
 www.patecurbs.com • e-mail: sales@patecurbs.com

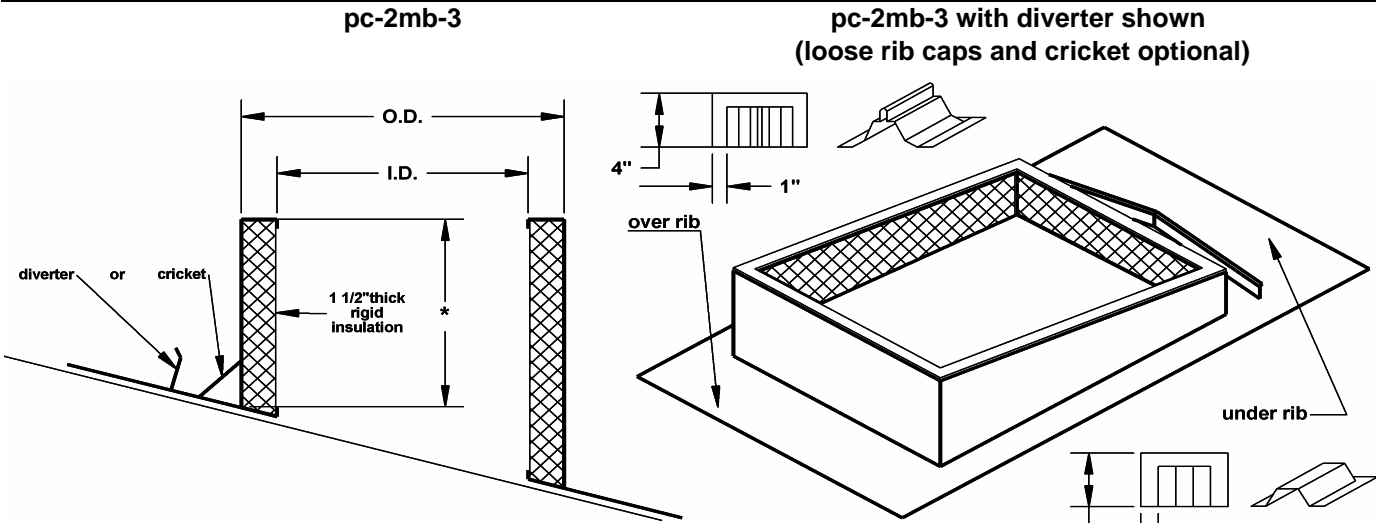
## pate metal building curbs

### standard construction

Heavy gauge AZ-55 Galvalume steel shell, base plate and diverter, continuous welded corners, seams painted with rust inhibitive primer, closed cell foam gasket at top, 1 1/2" thick rigid fiberglass insulation. Standard construction includes roof pitch and design to conform to building manufacture's panel. Butyl tape furnished with curb. All curbs are internally reinforced in larger dimensions.

p.o. no. \_\_\_\_\_  
 customer \_\_\_\_\_  
 \_\_\_\_\_  
 project \_\_\_\_\_  
 location \_\_\_\_\_  
 \_\_\_\_\_  
 architect \_\_\_\_\_  
 engineer \_\_\_\_\_

### pate metal building curbs



one piece curb with flat flanges and optional loose rib caps

### metal building curb requirements

quantity	style	dimensions		min. ht. * 8" standard	roof pitch and direction	roof panel mfg. & model	curb mounting under/over , over/over	tag
		O.D.	I.D.					