

pc-2mb-2

the pacesetter in quality prefab roof products



245 eisenhower lane south • lombard, illinois 60148
 630.705.1920 • 800.243.3018 • fax 630.705.1930
 www.patecurbs.com • e-mail: sales@patecurbs.com

pate metal building curbs

standard construction

Heavy gauge AZ-55 Galvalume steel shell, base plate and diverter, continuous welded corners, seams painted with rust inhibitive primer, closed cell foam gasket at top, 1 1/2" thick rigid fiberglass insulation. Standard construction includes roof pitch and design to conform to building manufacture's panel. Butyl tape furnished with curb. All curbs are internally reinforced in larger dimensions.

p.o. no. _____
 customer _____

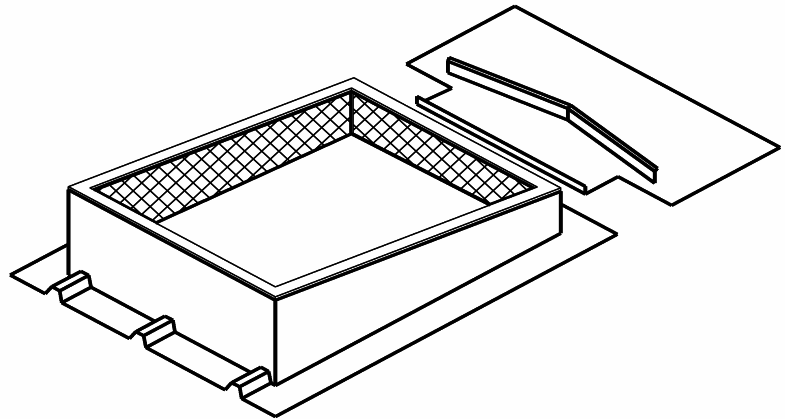
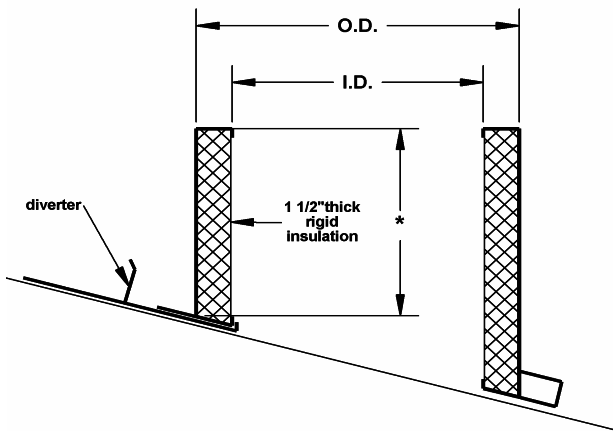
 project _____
 location _____

 architect _____
 engineer _____

pate metal building curbs

pc-2mb-2

pc-2mb-2 with diverter and optional rib caps shown



two piece curb with flat flanges and optional rib caps

metal building curb requirements

quantity	style	dimensions		min. ht. * 8" standard	roof pitch and direction	roof panel mfg. & model	rib cap application loose / welded / none	tag
		O.D.	I.D.					