

es-5

the pacesetter in quality prefab roof products



245 eisenhower lane south • lombard, illinois 60148
 630.705.1920 • 800.243.3018 • fax 630.705.1930
 www.patecurbs.com • e-mail: sales@patecurbs.com

**pate
 equipment supports**

standard construction

18 ga. galvanized steel, unitized construction with integral base plate, continuous welded corner seams, pressure treated wood nailer, counterflashing with screws. Internally re-inforced to conform with **pate** load bearing factors.

On **b** style supports, standard wood nailer has 1" overhang unless otherwise specified.

p.o. no. _____
 customer _____

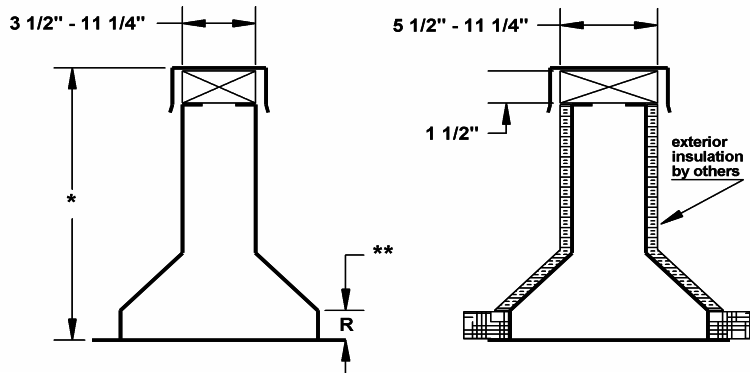
 project _____
 location _____

 architect _____
 engineer _____

pate equipment supports

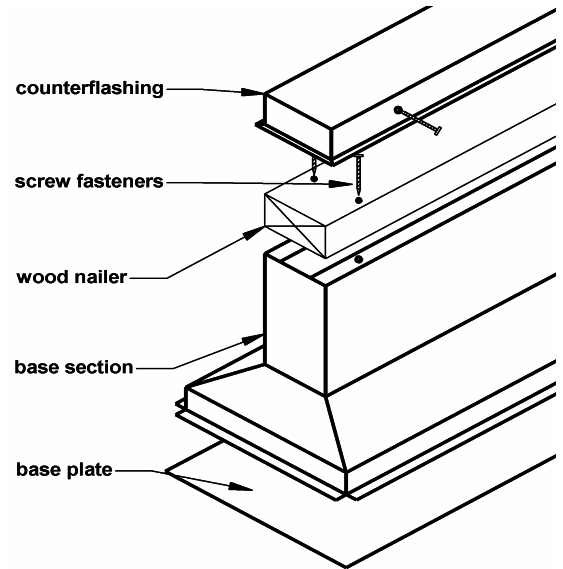
es-5

es-5b



decks with rigid insulation

*standard height: 9 1/2" & 13 1/2" ** (with 1 1/2"R)



equipment support requirements

quantity	style	nailer length	nailer width	* overall height	overhang b style	** raised cant height	tag