

**es-2mb**

the pacesetter in quality prefab roof products



245 eisenhower lane south • lombard, illinois 60148  
 630.705.1920 • 800.243.3018 • fax 630.705.1930  
 www.patecurbs.com • e-mail: sales@patecurbs.com

**pate  
 metal building equipment support**

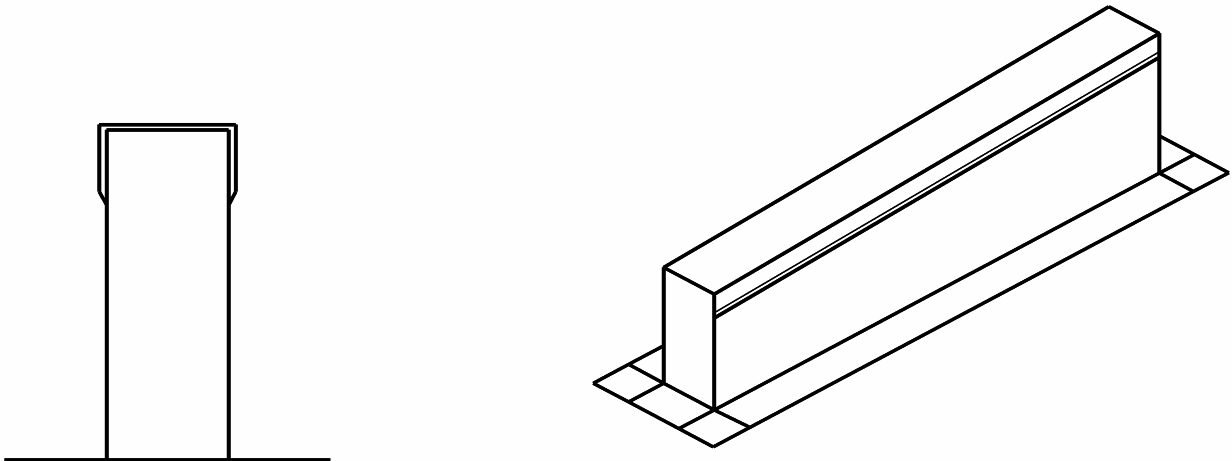
**standard construction**

18 gauge AZ-55 Galvalume steel, unitized construction with integral base plate, continuous welded corner seams, welded counterflashing with gasket, 3" continuous flanges. Internally re-inforced to conform with **pate** load bearing factors. Supports set in flats between major ribs.

p.o. no. \_\_\_\_\_  
 customer \_\_\_\_\_  
 \_\_\_\_\_  
 project \_\_\_\_\_  
 location \_\_\_\_\_  
 \_\_\_\_\_  
 architect \_\_\_\_\_  
 engineer \_\_\_\_\_

**pate metal building equipment supports**

es-2mb



**metal building equipment support requirements**

quantity	style	length	width	minimum height	roof slope	tag