

es-2

the pacesetter in quality prefab roof products

**pate
equipment supports**

standard construction

18 ga. galvanized steel, unitized construction with integral base plate, continuous welded corner seams, pressure treated wood nailer, counterflashing with screws. Internally re-inforced to conform with **pate** load bearing factors.

On **b** style supports, standard wood nailer has 1" overhang unless otherwise specified.



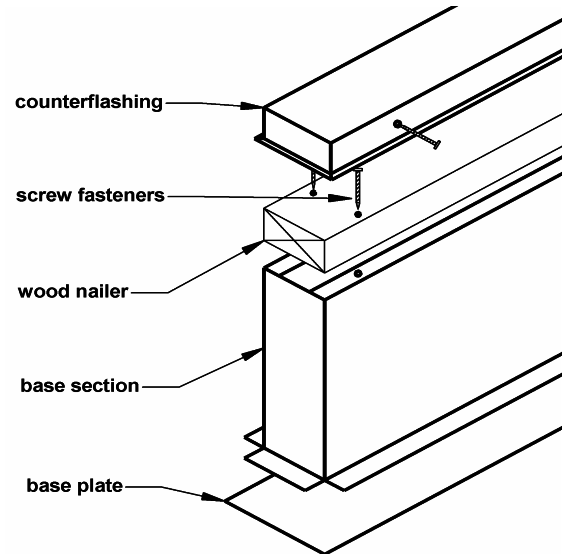
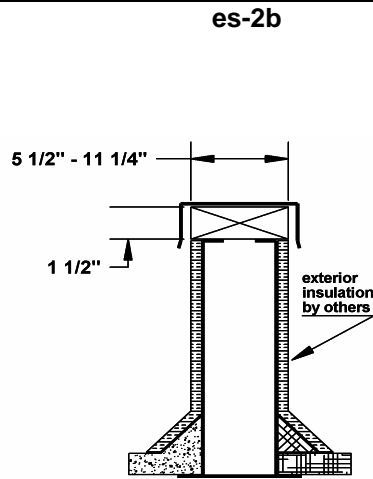
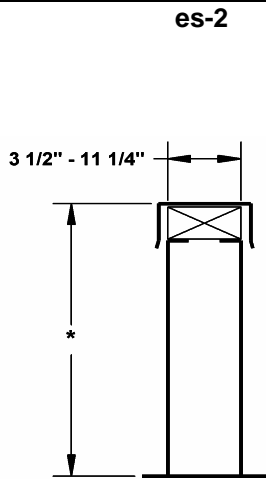
245 eisenhower lane south • lombard, illinois 60148
630.705.1920 • 800.243.3018 • fax 630.705.1930
www.patecurbs.com • e-mail: sales@patecurbs.com

p.o. no. _____
customer _____

project _____
location _____

architect _____
engineer _____

pate equipment supports



decks with lightweight fill or tapered insulation

*standard height: 12" & 16"

equipment support requirements

quantity	style	nailer length	nailer width	* overall height	overhang b style	tag