

eb-1,2,5

the pacesetter in quality prefab roof products



245 eisenhower lane south • lombard, illinois 60148
 630.705.1920 • 800.243.3018 • fax 630.705.1930
 www.patecurbs.com • e-mail: sales@patecurbs.com

**pate
 equipment base**

standard construction

Heavy ga. galvanized steel, unitized construction, with integral base plate, continuous welded corner seams, fully insulated, pressure treated wood nailer. Internally re-inforced to conform with **pate** load bearing factors.
 Also available in **eb-1** and **eb-2** styles.
 Optional inner liner available.

p.o. no. _____
 customer _____

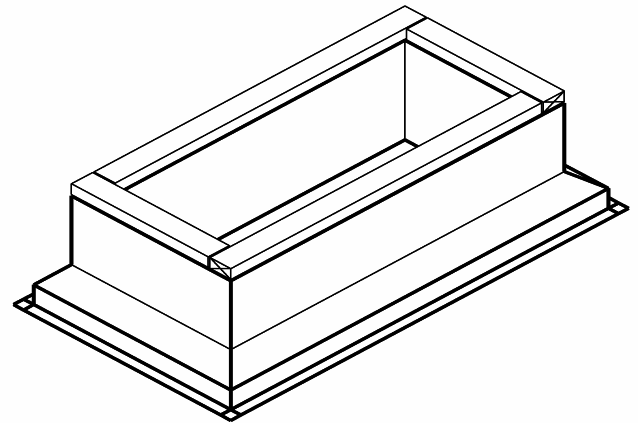
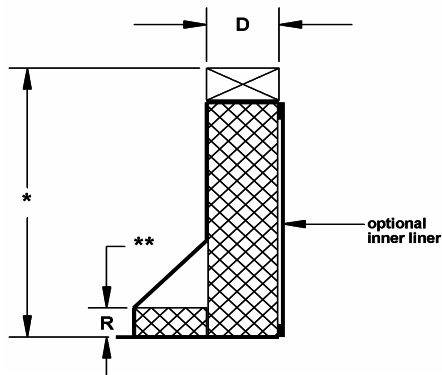
 project _____
 location _____

 architect _____
 engineer _____

pate equipment base

eb-5

eb-5 with optional inner liner shown



equipment base requirements

quantity	style	dimensions		* overall height	D	** raised cant height	tag
		O.D.	I.D.				