

cj-1,2,5

the pacesetter in quality prefab roof products



245 eisenhower lane south • lombard, illinois 60148
 630.705.1920 • 800.243.3018 • fax 630.705.1930
 www.patecurbs.com • e-mail: sales@patecurbs.com

**pate
 control joint curbs**

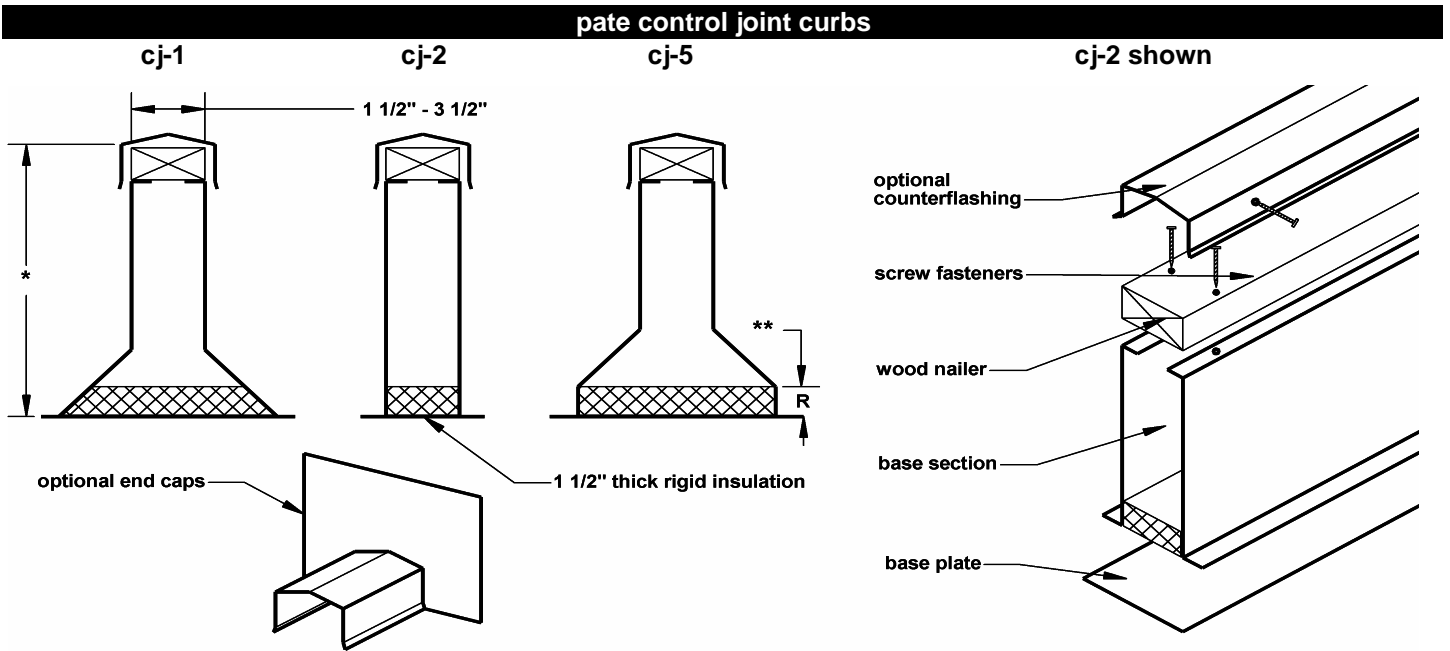
standard construction

Heavy ga. galvanized steel, unitized construction, internally re-inforced, integral base plate, pressure treated wood nailer strip and connector clips. Base internally insulated with 1 1/2" thick rigid fiberglass insulation. Optional counterflashing with screws.

p.o. no. _____
 customer _____

 project _____
 location _____

 architect _____
 engineer _____



control joint curb requirements								
quantity	style	nailer width	nailer length	* overall height	** raised cant height	*** sloping low end ht.	corners	tag