

ceb-2,2p

the pacesetter in quality prefab roof products



245 eisenhower lane south • lombard, illinois 60148
 630.705.1920 • 800.243.3018 • fax 630.705.1930
 www.patecurbs.com • e-mail: sales@patecurbs.com

pate combination equipment base

standard construction

Heavy ga. galvanized steel construction with full mitered corners and all seams welded, 1 1/2" thick rigid fiberglass insulation in curb. Pressure treated wood nailer strip. All curbs are internally reinforced. Also available in **ceb-2** style.

p.o. no. _____
 customer _____

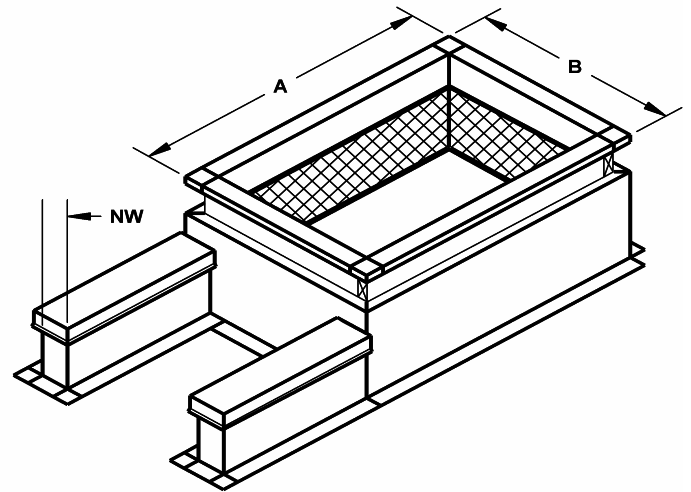
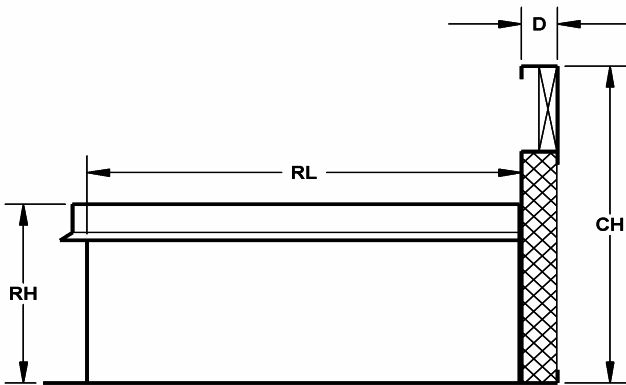
 project _____
 location _____

 architect _____
 engineer _____

pate combination equipment base

ceb-2p

ceb-2p shown



equipment base requirements

quantity	style	dimensions		CH	D	RH	RL	NW	tag
		O.D. A x B	I.D.						